
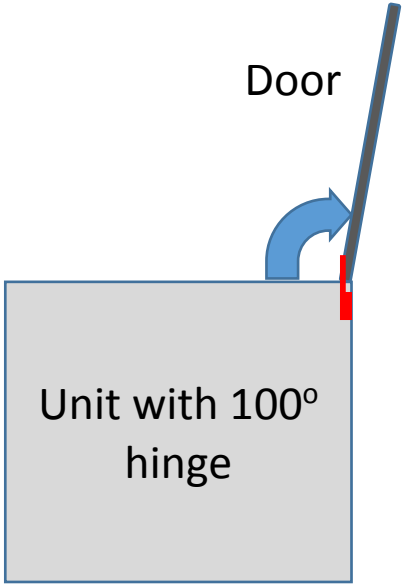


Guide to Hinges

Selecting Hinges

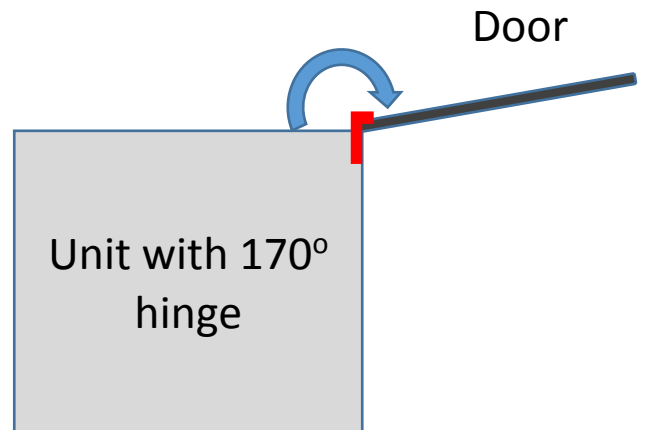
Identify the type of hinge you require.

100 Degree Hinge	
 <p data-bbox="461 1346 628 1413">Photo of 100° Hinge</p>	 <p data-bbox="1230 936 1331 972">Door</p> <p data-bbox="1023 1256 1305 1361">Unit with 100° hinge</p> <p data-bbox="1070 1485 1257 1590">Birds Eye View of unit showing Door Opening</p>

170 Degree Hinge



Photo of 170°
Hinge



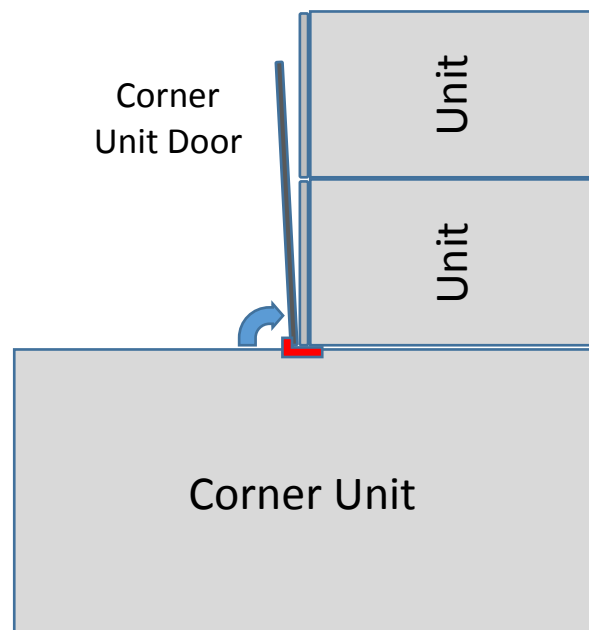
Birds Eye View
of Unit Showing
Door Opening

Corner Unit Hinge



Photo of Corner
Unit Hinge

Please note that this corner unit hinge does not work with a standard soft-close dampener

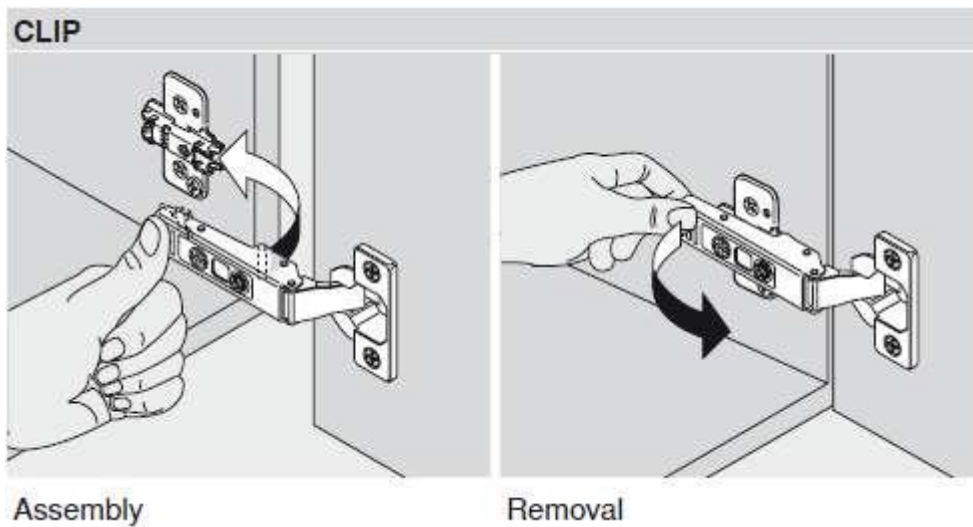


Birds Eye View of
Corner Unit Showing
Door Opening

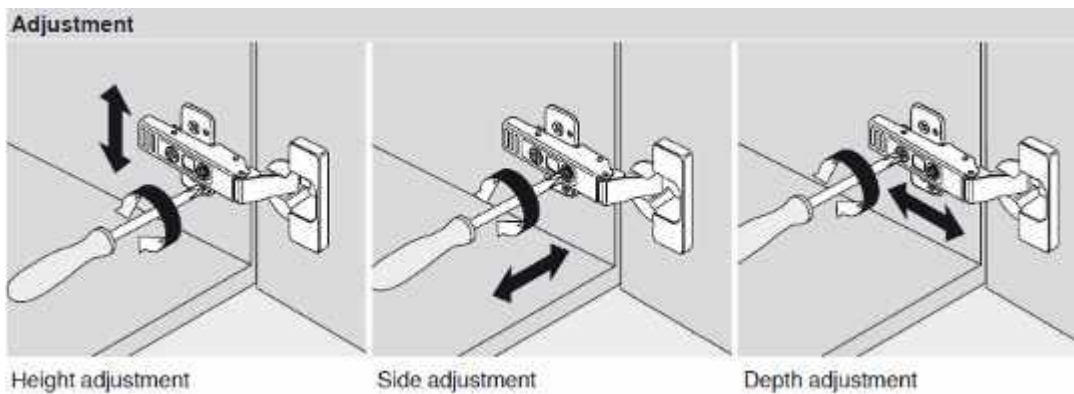
Hinge Fixing and Removal Guide

To reconnect a hinge to the hinge plate, push the hinge into place and you should hear the clicking noise of it attaching.

To remove a hinge, pull the lever which is found at the back of the hinge and at the same time push the hinge forward.



Hinge Adjustment

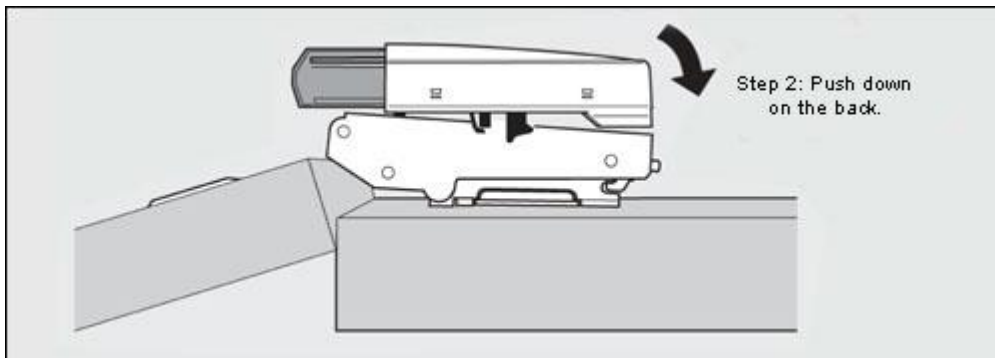
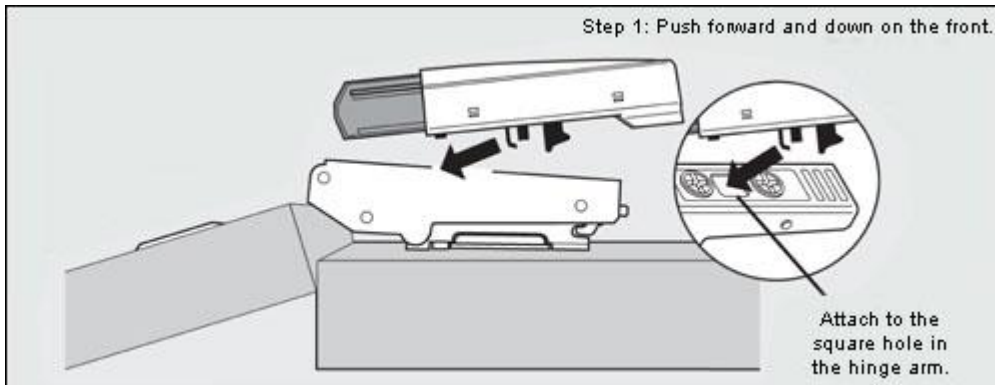


Soft Close Guide



Photo of Soft-Close Dampener to suit 100° hinges

How to Fit a Soft Close Dampener



How to Remove a Soft-Close Dampener

